
Comfort-Care®

Century®

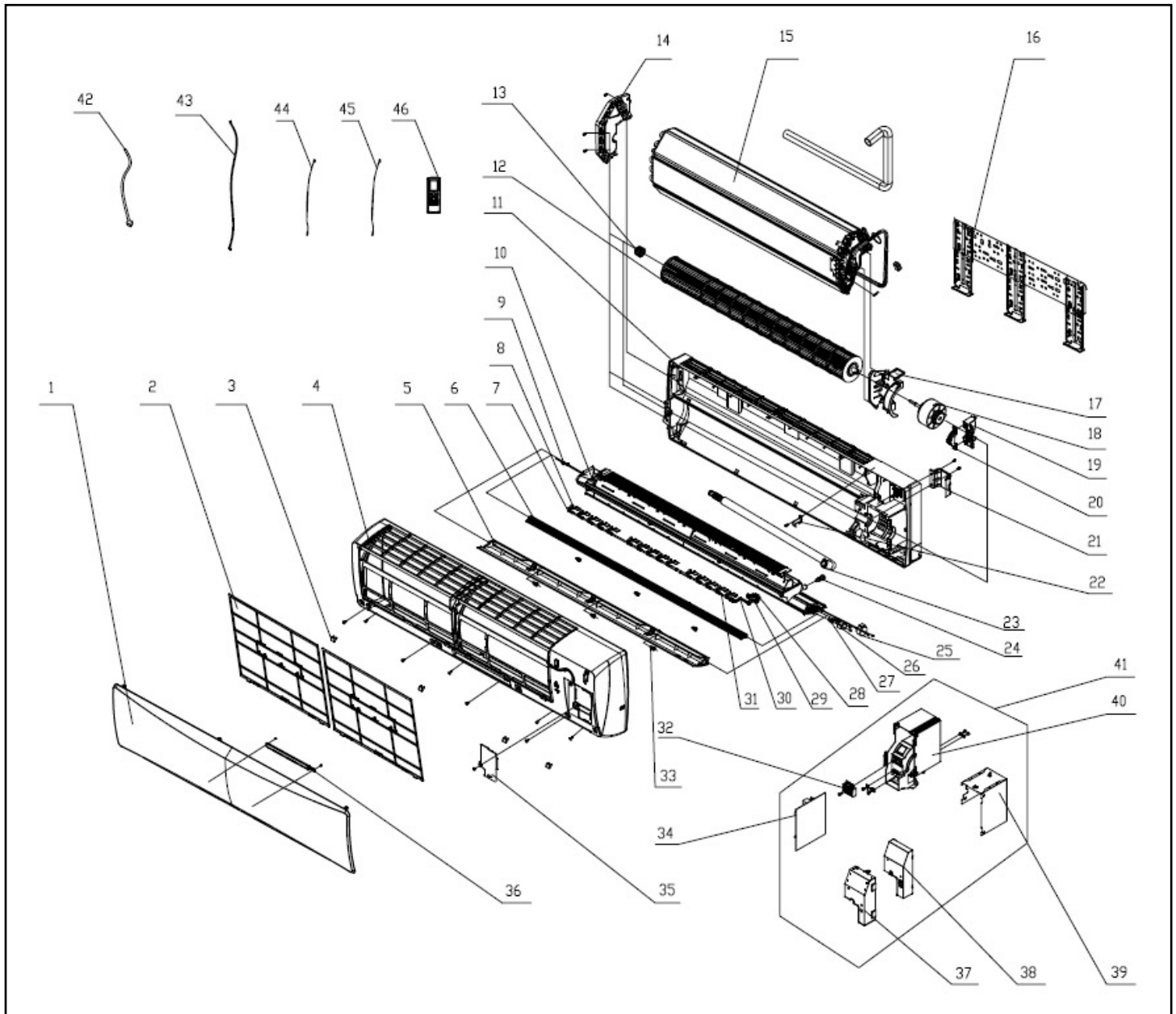
MARS®
Delivering Confidence

REPLACEMENT PARTS LIST

InverterFlex Series® Indoor High Wall Mini-Split

B-VFH24MB-1

EXPLODED VIEW



REPLACEMENT PARTS

Location	Part Name	Quantity	Part No.
1	Front Panel	1	27230007940
2	Filter Sub-Assembly	2	11122136
3	Screw Cover	4	242520053
4	Front Case Sub-Assembly	1	20022004
5	Guide Louver	1	10512236
6	Small Guide Louver	1	1051223701
7	Swing Lever 2	1	1058211601
8	Air Louver	15	10512252
9	Left Axle Bushing	2	1051203701
10	Water Tray Assembly	1	01272119
11	Rear Case Sub-Assembly	1	22202092
12	Cross Flow Fan	1	10352420
13	O-Gasket of Cross Fan Bearing	1	76512203
14	Left Evaporator Support	1	24212041
15	Evaporator Assembly	1	01002000041_L61437
16	Wall Mounting Frame	1	01252398
17	Right Support of Evaporator	1	2421204201
18	Fan Motor	1	1501213401
19	Motor Fixed Clip 1	1	26112324
20	Motor Fixed Clip 2	1	26112325
21	Pipe Clamp	1	26112071
22	Fixed Clip (Evaporator)	1	02112009
23	Drainage Hose	1	0523001403
24	Rubber Plug (Water Tray)	1	76712012
25	Stepping Motor	1	1521212602
26	Stepping Motor	1	1521240208
27	Crank	2	73012021
28	Stepping Motor	1	1521212301
29	Motor Holder	1	26152046
30	Swing Lever 3	1	1058211701
31	Swing Lever 1	1	1058211501
32	Terminal Board	1	42011233
33	Axle Bushing	3	10542036
34	Main Board	1	30138000312
35	Electric Box Cover 2	1	2012214202
36	Display Board	1	30565141
37	Shield Cover of Electric Box Cover	1	01592108
38	Electric Box Cover	1	2012216401
39	Shield Cover of Electric Box	1	01592107
40	Electric Box	1	2011214001
41	Electric Box Assembly	1	20102000340
44	Temperature Sensor	1	390000451
45	Temperature Sensor	1	390000598
46	Remote Controller	1	30510138_L61437
Not Shown	Holder for Remote Controller	1	26150008

Due to ongoing product improvements, specifications and dimensions are subject to change and correction without notice or incurring obligations. Determining the application and suitability for use of any product is the responsibility of the installer. Additionally, the installer is responsible for verifying dimensional data on the actual product prior to beginning any installation preparations.

Incentive and rebate programs have precise requirements as to product performance and certification. All products meet applicable regulations in effect on date of manufacture; however, certifications are not necessarily granted for the life of a product. Therefore, it is the responsibility of the applicant to determine whether a specific model qualifies for these incentive/rebate programs.

Comfort-Cire®  **Century**

1900 Wellworth Ave., Jackson, MI 49203 • Ph. 517-787-2100 • www.marsdelivers.com

